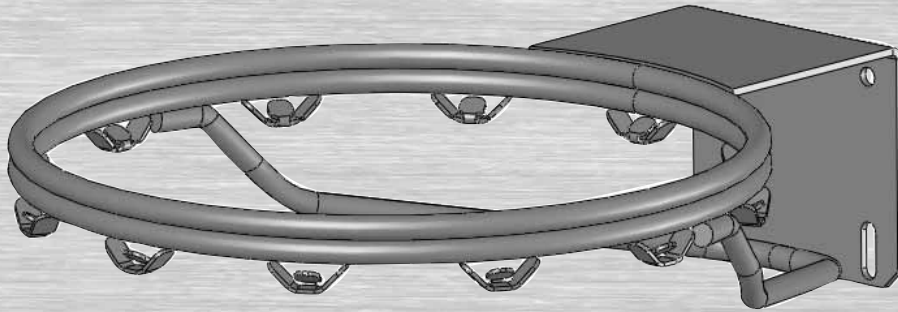


**SPALDING**  
**HYDRA-RIB® BPI**  
1 - 8 0 0 - 4 3 5 - D U N K

# Rim Owners Manual



**Model Number:**

**411-557**



**! WARNING!**

READ AND UNDERSTAND  
OPERATOR'S MANUAL  
BEFORE USING THIS UNIT.

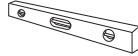
FAILURE TO FOLLOW  
OPERATING INSTRUCTIONS  
COULD RESULT IN INJURY  
OR DAMAGE TO PROPERTY.

Customer Service Center  
• 200 American Avenue • Jefferson, IA 50129  
[www.spalding.com](http://www.spalding.com) • [www.basketballproducts.com](http://www.basketballproducts.com) • [www.hydra-rib.com](http://www.hydra-rib.com)

# REQUIRED TOOLS AND MATERIALS:



• (2) Stepladders 8 ft. (2.4 m)



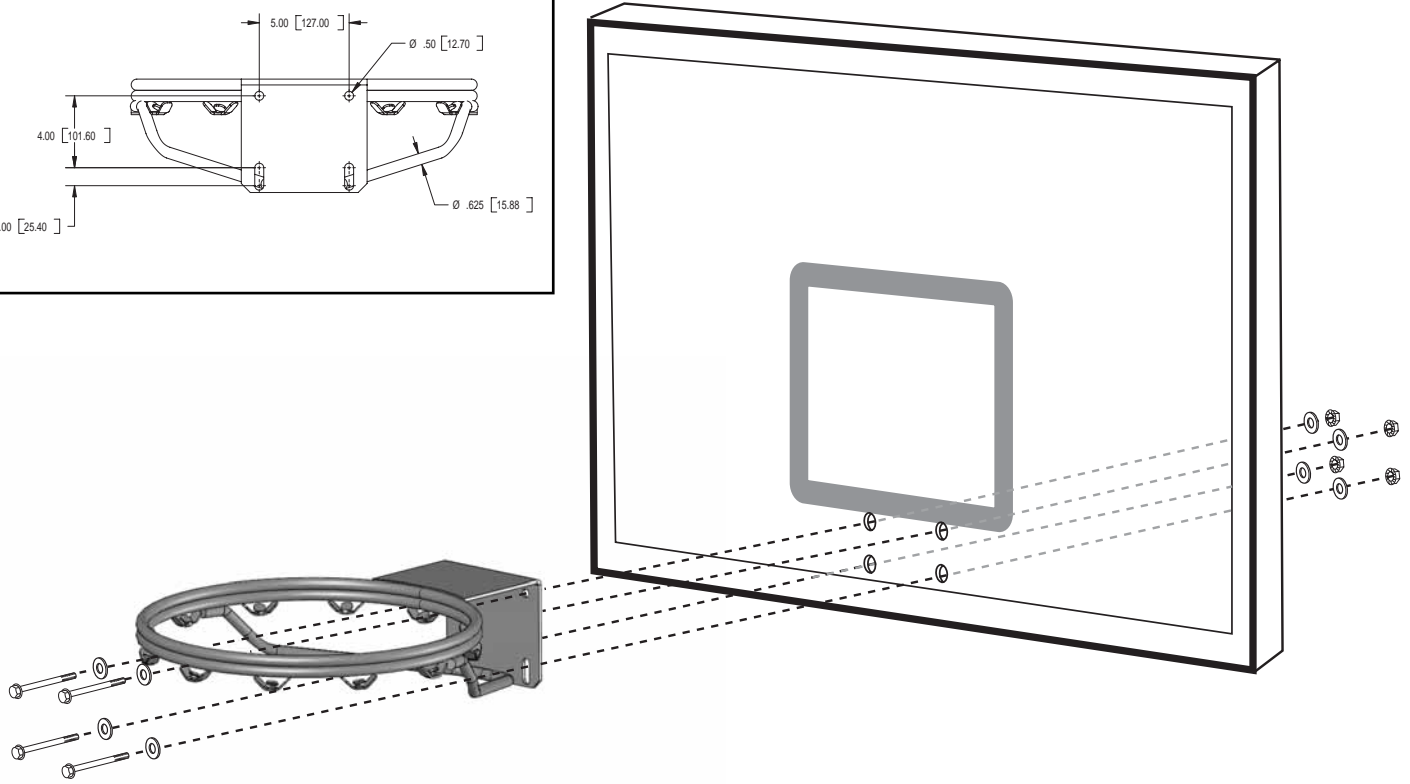
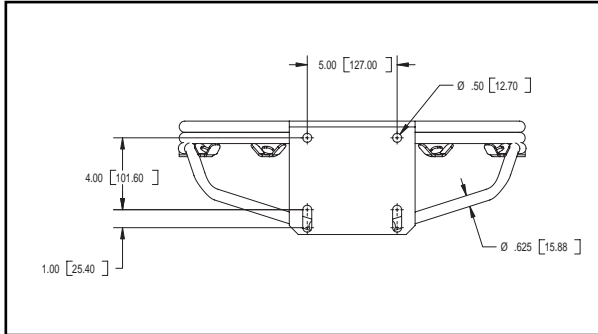
• (1) Carpenter's Level



• (2 each) 9/16" Wrenches  
and/or Socket Wrenches  
and Sockets



(Deep-Well Sockets  
9/16"  
are Recommended).



## INSTALL NET

### OUTSIDE VIEW

